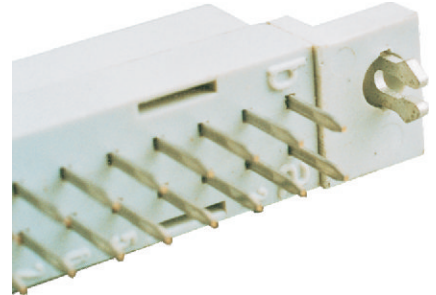


CONNECTORS FITTED WITH BOARD LOCK

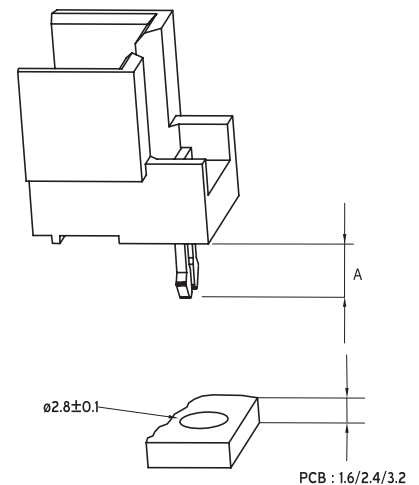
Standard euro and reverse euro connectors (form B, B/2, C, C/2, R, R/2, HE-11) are also available with board lock which snaps into holes on the PC board very easily by hand.

Board lock is tin Lead plated and hence is solderable in a through plated holes of PCB.

Board lock provides additional support to the connectors both before and after wave soldering. It also relieves the soldered joints of connector terminations during the mating and un-mating process.



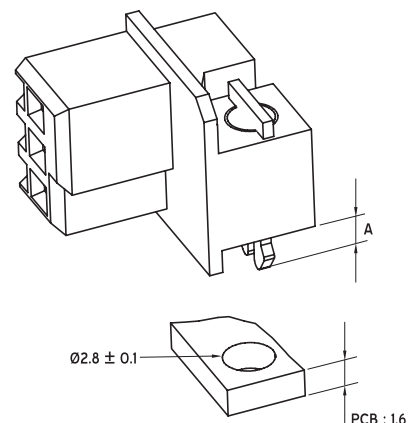
Straight Pin Connectors



Technical Data :

Board lock insertion force	:	100N Max.
Board lock retention force	:	
Unsoldered	:	20N min.
Soldered	:	200N min.
Material	:	Copper alloy

Right Angle Pin Connectors



A(mm)	PCB Thickness (mm)	Suffix
3.0	1.6	B
3.8	2.4	L
4.6	3.2	K

Please add suffix B or L or K in the Ordering Code of DIN 41612 connectors required with board lock for snap-fit on PC board as per details given above.