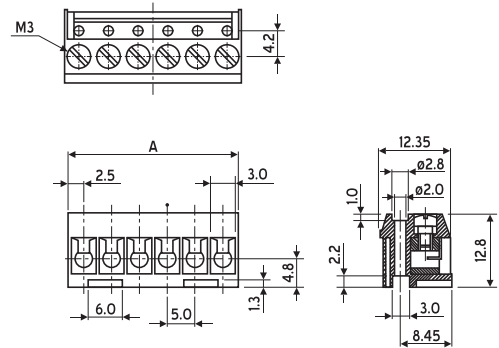
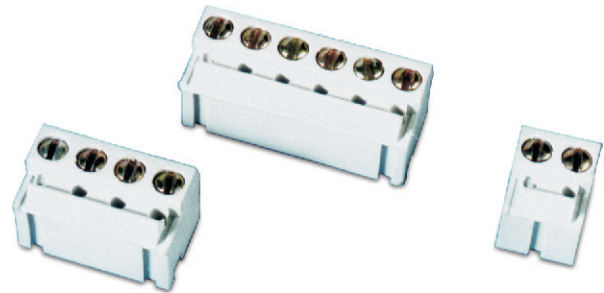


- Characteristics
- ◆ Heavy duty plug-in terminal blocks with screw connections.
 - ◆ Plug on vertical headers.
 - ◆ Solid terminals have features for both plug-in and screw connections.
 - ◆ Silver plated contact lips.
 - ◆ Suitable for mating with pins of dia. 1.3 mm.
 - ◆ Wire protector to give strong grip, prevents damage to the cable.
 - ◆ Available in 2, 4 and 6 ways.



5.0 mm. pitch

No. of ways	Ordering code
2 way	882 1 () 02
4 way	882 1 () 04
6 way	882 1 () 06

() Colour : A - BLACK, B - BLUE, G - GREY

A = Number of ways x Pin spacing (5 mm.)

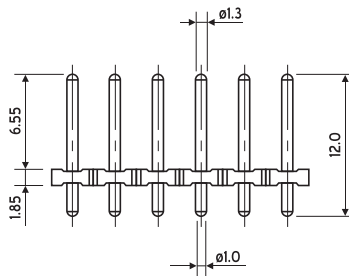
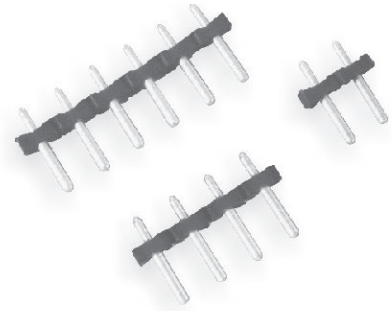
TECHNICAL DATA :

Voltage	300 V (for 5.00 mm. pitch)
Current	15 A
Contact resistance	15 milliohms max.
Insulation resistance	1000 Mohms min. at 500V DC
Dielectric strength	1500VAC for one min.
Wire gauge	28-14 AWG
Tightening torque	0.5 Nm

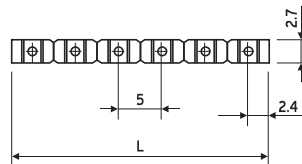
MATERIALS :

Body	Flame retardant thermoplastic (UL94V-O)
Terminal	Copper alloy nickel plated
Contact clip	Copper alloy silver plated
Terminal screw	Steel zinc plated and Yellow chromated
Wire protector	Stainless steel

- Characteristics
- ◆ Available in 2,4 & 6 ways, single row, 5 mm. pitch.
 - ◆ Can be easily broken to the desired length by hand.
 - ◆ Round pins.
 - ◆ Suitable for mating with plug-in-terminal blocks with screw connections.


Straight 5.0 mm. pitch

No. of ways	Ordering code
2 way	882 H 02 SS
4 way	882 H 04 SS
6 way	882 H 06 SS



Note : Consult factory for gold plated headers

$$L = (\text{Number of contacts} - 1) \times \text{Pin spacing (5 mm.)} + 4.8 \text{ mm.}$$

TECHNICAL DATA :

Voltage	300 V (for 5.00 mm. pitch)
Current	15 A
Contact resistance	15 milliohms max.
Insulation resistance	1000 Mohms min. at 500V DC
Dielectric strength	1500V AC for one min.

MATERIALS :

Body	Flame retardant thermoplastic (UL94V-O)
Colour	Black
Contact	Copper alloy
Plating	Silver over nickel under coat

Note : Consult factory for plug in terminal blocks & headers with 10 mm. pitch.

All dimensions are in mm
 Due to continuous improvement in products, we reserve the right to alter specifications without prior notice