

The ESSEN line of component supports is an economical and convenient method of above-board mounting for resistors, capacitors, LEDs etc. Thus, frequent removal of components in the field does not disturb the wave soldering.

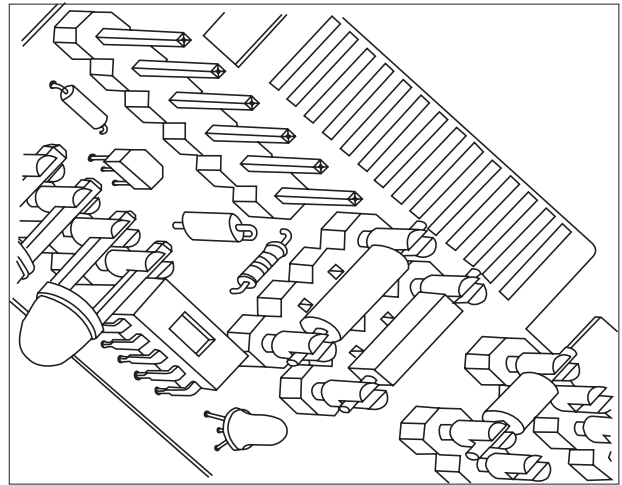
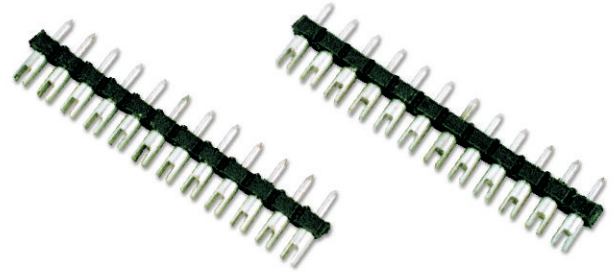
Component support's body is manufactured for positions up to maximum 36 ways which can be easily cut for desired length.

Precision machined terminals are fitted on the flame retardant (UL94V-0) thermoplastic body for reliable long term performance.

Slots of these terminals can be either perpendicular or parallel with the moulded body.

Component supports with slots perpendicular to the body are available up to maximum 36 terminals. For different combination of pitch, please consult us.

Component supports with slots parallel to the body are mainly available with terminals at a distance of 15.24 mm. or 20.32 mm. For any other distance, specify dimension 'C' as shown in the figure on the next page.

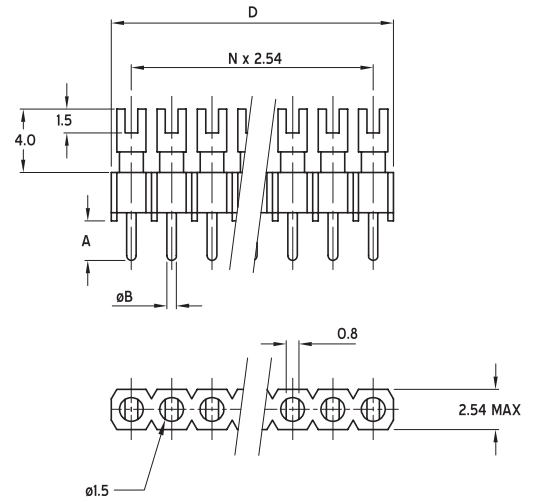


Technical data :

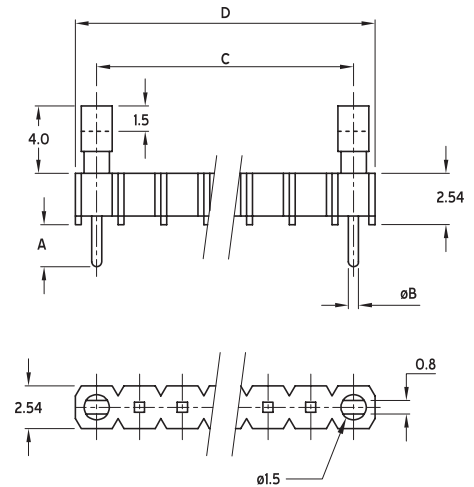
Insulator material	Flame retardant thermoplastic (UL 94 V-0)
Pins material	Copper alloy
Rated current	3 Amps.
Voltage proof	1000 V AC
Insulation resistance	>1000 Mohms at 500 VDC
Temperature range	-55°C to +125°C
Plating	Tin over nickle or gold over nickel.

SLOTS PERPENDICULAR

Pins	Ordering code	Plating	A	B	C	D
36	859 01 03 06 36 01	Au	2.5	0.6	88.9	91.4
36	859 01 04 06 36 01	Sn	2.5	0.6	88.9	91.4
36	859 01 03 08 36 01	Au	3.0	0.8	88.9	91.4
36	859 01 04 08 36 01	Sn	3.0	0.8	88.9	91.4


SLOTS PARALLEL

Pins	Ordering code	Plating	A	B	C	D
02	859 02 03 06 02 06	Au	2.5	0.6	15.24	17.78
02	859 02 04 06 02 06	Sn	2.5	0.6	15.24	17.78
02	859 02 03 06 02 08	Au	2.5	0.6	20.32	22.86
02	859 02 04 06 02 08	Sn	2.5	0.6	20.32	22.86
02	859 02 03 08 02 06	Au	3.0	0.8	15.24	17.78
02	859 02 04 08 02 06	Sn	3.0	0.8	15.24	17.78
02	859 02 03 08 02 08	Au	3.0	0.8	20.32	22.86
02	859 02 04 08 02 08	Sn	3.0	0.8	20.32	22.86


ORDERING CODE

Series	Position of pins	Plating	Pin size	No. of pins	Pitch (multiple of 2.54 mm.)
859	01	03	06	36	01
	01 - Slot to strip	03 - Gold	06 - ø0.6	01 to 36	01 - 1x2.54 = 2.54 mm.
	02 - Slot // to strip	04 - Tin	08 - ø0.8		06 - 6x2.54 = 15.24 mm.