

TOP & SIDE CABLE ENTRY HOODS Plastic / Metallised

Characteristics :

- ◆ Jack screws have 4-40 UNC threads.
- ◆ Facility for side & top cable entry (via easily removable knock outs.)
- ◆ Internal cable clamp can be used for top or side cable entry.
- ◆ Available with long or short jack screws.

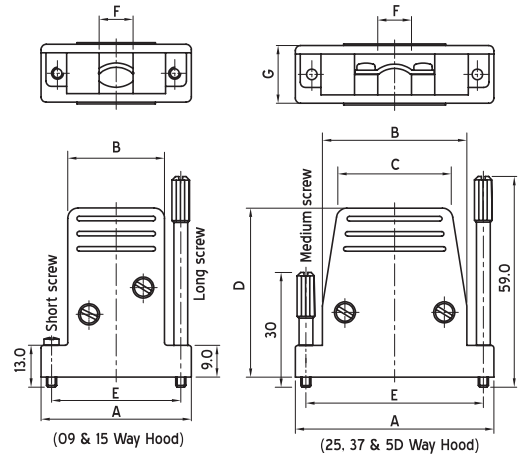


Ordering code*

| No. of ways | With long screw | With short screw | With medium screw | A | B | C | D | E | F | G |
|-------------|-----------------|------------------|-------------------|------|------|------|------|------|------|------|
| 09 | D 09TSL | D 09TSS | D 09TSM | 34.4 | 19.0 | --- | 40.8 | 25.0 | 6.4 | 17.4 |
| 15 | D 15TSL | D 15TSS | D 15TSM | 42.7 | 27.5 | --- | 48.0 | 33.3 | 9.6 | 17.4 |
| 25 | D 25TSL | D 25TSS | D 25TSM | 56.4 | 41.0 | 32.2 | 48.0 | 47.0 | 9.6 | 17.4 |
| 37 | D 37TSL | D 37TSS | D 37TSM | 72.9 | 57.6 | 35.5 | 53.2 | 63.5 | 13.5 | 17.4 |
| 50 | D 50TSL | D 50TSS | D 50TSM | 70.5 | 55.1 | 39.9 | 53.0 | 61.1 | 13.5 | 20.2 |

*Add suffix 'W' to accommodate wire wrap D - sub connectors

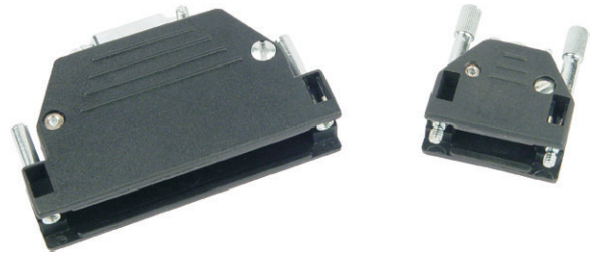
*Add prefix 'M' for metallised version eg.: **MD09TSL** or **MD09TSS** or **MD09TSM**



TOP CABLE ENTRY HOODS Plastic / Metallised

Characteristics :

- ◆ Male/Female jack screws having 4-40 UNC threads.
- ◆ Facility for top cable entry.

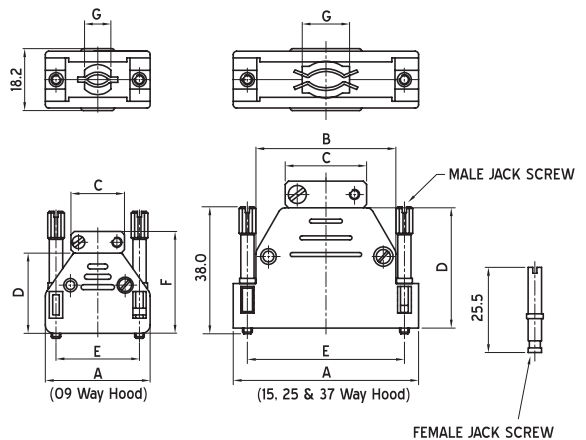


Ordering code**

| No. of ways | *Male jack screw | Female jack screw | A | B | C | D | E | F | G |
|-------------|------------------|-------------------|------|------|------|------|------|------|------|
| 09 | D 09T | D 09TF | 31.4 | --- | 14.5 | 24.0 | 25.0 | 32.0 | 7.9 |
| 15 | D 15T | D 15TF | 42.0 | 28.5 | 14.3 | 30.0 | 33.3 | 38.0 | 10.0 |
| 25 | D 25T | D 25TF | 55.5 | 41.9 | 25.1 | 36.0 | 47.0 | 44.0 | 14.2 |
| 37 | D 37T | D 37TF | 69.8 | 57.5 | 39.2 | 38.0 | 63.5 | 46.0 | 18.0 |

*Add suffix '3' for male jack screw with M3 threads.

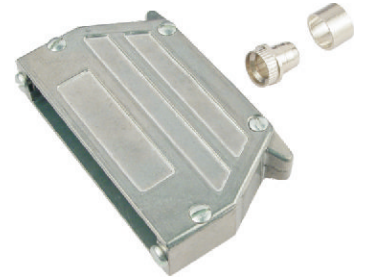
Add prefix 'M' for metallised version eg.: **MD09T or **MD09TF**



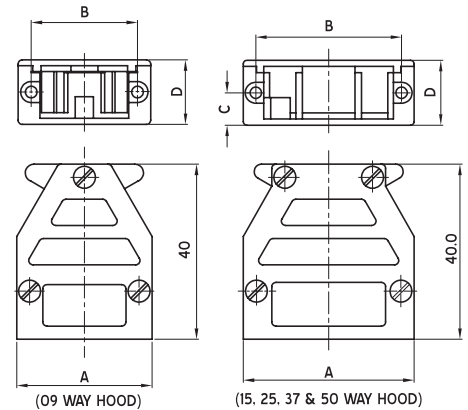
METAL HOODS

Technical data :

| | |
|--------------|---|
| Material | Zinc alloy |
| Finish | Natural |
| Applications | Suitable for EMI/RFI shielding. |
| Comprises of | Housing with cover, 1 or 2 blanking plugs, 3 or 4 cover retaining screws, 1 earthing screw, 2 shouldered screw to retain connector. |



| No. of ways | Ordering code | A | B | C | D |
|-------------|-------------------|------|------|------|------|
| 09 | EDH 09 M 1 | 30.9 | 25.0 | 7.4 | 14.8 |
| 15 | EDH 15 M 1 | 39.2 | 33.3 | 7.4 | 14.8 |
| 25 | EDH 25 M 1 | 53.2 | 47.0 | 7.4 | 14.8 |
| 37 | EDH 37 M 1 | 69.3 | 63.5 | 7.4 | 14.8 |
| 50 | EDH 50 M 1 | 67.0 | 61.1 | 8.85 | 17.7 |



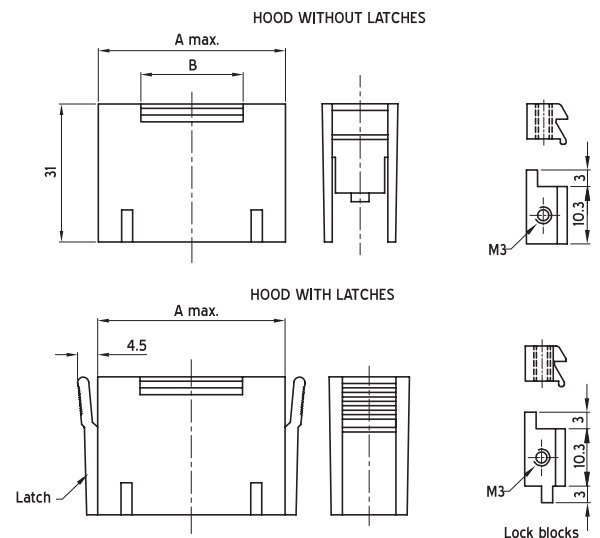
HOODS FOR IDC D-SUB CONNECTOR

Characteristics :

- ◆ Moulded in flame retardant thermoplastic (UL 94V-O).
- ◆ Easy to lock with D-sub connector.
- ◆ Available with snap lock plastic latches.
- ◆ Lock block set to latch the hood onto mating connector.



| No. of ways | Ordering code | Description | A | B |
|-------------|-----------------|----------------------|------|------|
| 15 | D 15 SL | Hood without latches | 44.7 | 23.0 |
| 25 | D 25 SL | Hood without latches | 58.8 | 36.0 |
| 15 | D 15 SLL | Hood with latches | 44.7 | 23.0 |
| 25 | D 25 SLL | Hood with latches | 58.8 | 36.0 |
| --- | DL | Latch set | --- | --- |
| --- | DLS | Lock block set | --- | --- |



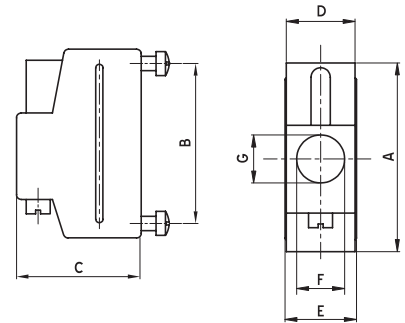
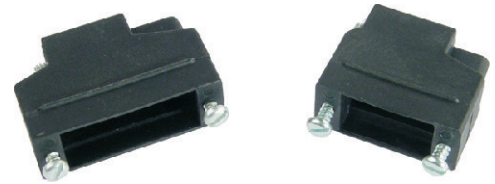
ONE PIECE HOOD

Characteristics :

- ◆ Side and top cable entry.
- ◆ Cable is fed through the hood before assembly and clamped with strain-relief.
- ◆ Flame retardant thermoplastic (UL 94V-O)
- ◆ Complete with - 2 self tapping screw to retain connector.
- 2 Plastic cable clamps
- 1 Set screw.

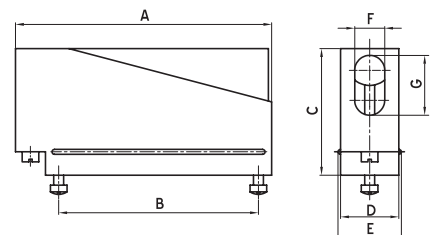
TOP CABLE ENTRY

| No. of ways | Ordering code | A | B | C | D | E | F | G |
|-------------|----------------|------|------|------|------|------|------|------|
| 09 | DP 09 T | 30.9 | 25.0 | 25.4 | 12.7 | 14.3 | 7.1 | 7.1 |
| 15 | DP 15 T | 39.3 | 33.3 | 25.4 | 12.7 | 14.3 | 9.1 | 9.1 |
| 25 | DP 25 T | 53.2 | 47.0 | 31.7 | 12.7 | 14.3 | 9.1 | 12.5 |
| 37 | DP 37 T | 69.4 | 63.5 | 38.1 | 12.7 | 14.3 | 9.1 | 17.6 |
| 50 | DP 50 T | 67.1 | 61.1 | 38.1 | 15.5 | 17.0 | 11.6 | 18.6 |



SIDE CABLE ENTRY

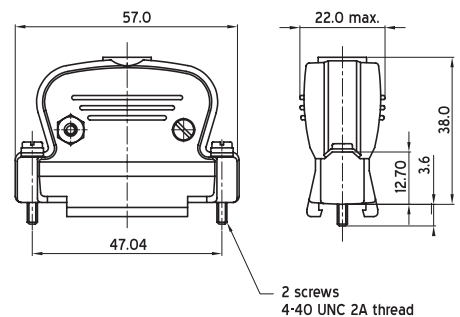
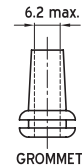
| No. of ways | Ordering code | A | B | C | D | E | F | G |
|-------------|----------------|------|------|------|------|------|------|------|
| 09 | DP 09 S | 38.0 | 25.0 | 25.4 | 12.7 | 14.3 | 7.1 | 7.1 |
| 15 | DP 15 S | 43.3 | 33.3 | 25.4 | 12.7 | 14.3 | 9.1 | 9.1 |
| 25 | DP 25 S | 60.1 | 47.0 | 31.7 | 12.7 | 14.3 | 9.1 | 12.5 |
| 37 | DP 37 S | 76.4 | 63.5 | 38.1 | 12.7 | 14.3 | 9.1 | 17.6 |
| 50 | DP 50 S | 74.0 | 61.1 | 38.1 | 15.5 | 17.0 | 11.6 | 18.6 |



DATA PHONE HOOD

Characteristics :

- ◆ Flame retardant thermoplastic UL94V-O)
- ◆ Available in 25 way only
- ◆ Comprising of - 2 piece housing, 2 mounting screws with nuts, 2 screws with washers and clamp to retain connector, 1 grommet
- ◆ Max. cable entry - with grommet - 6.2 mm.
- without grommet - 8.3 mm.



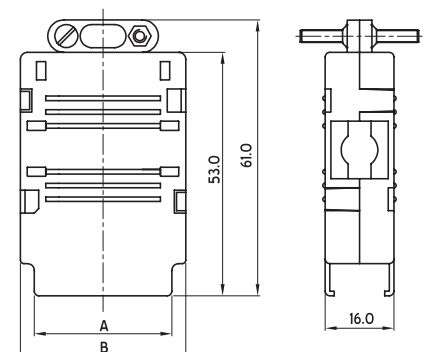
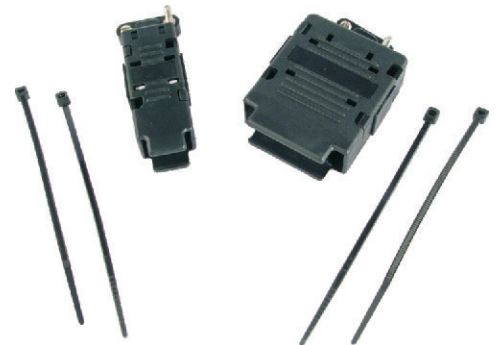
Ordering code

DPH 25

SNAP FIT PLASTIC HOOD

Characteristics :

- ◆ A 2-piece snap-fit design for quick assembly
- ◆ Facility for top and side cable entry
- ◆ Cable strain relief is either through internal cable clamps or adjustable tie-wrap to save space.
- ◆ Holes to accommodate adjustable tie-wrap are provided in the hoods
- ◆ Available in 9, 15 and 25 positions only
- ◆ Plugs are provided to close the unused outlets
- ◆ Comprises of - 2 piece housing, 2 plugs, 2 tie-wrap or 1 cable clamp complete with 2 screws and nuts



Ordering code

| No. of ways | With cable clamp | *Without cable clamp | A | B |
|-------------|------------------|----------------------|------|------|
| 09 | DSFC 09 | DSF 09 | 12.8 | 28.0 |
| 15 | DSFC 15 | DSF 15 | 19.0 | 28.0 |
| 25 | DSFC 25 | DSF 25 | 30.0 | 41.0 |

* With tie - wrap

HOODS WITH SIDE LOCK Plastic / Metallised

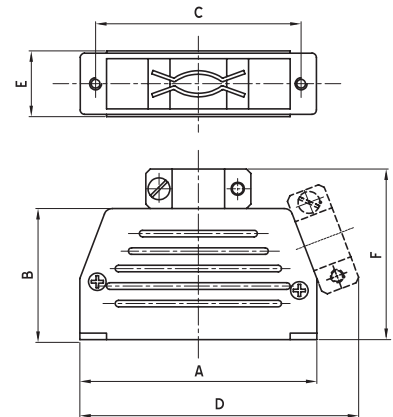
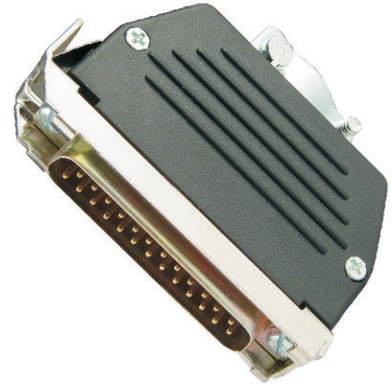
Characteristics :

- ◆ A plug is supplied to close the unused outlet.
- ◆ The hood comprises of base, cover, 2/4 mounting screws, 2 screws for retaining connector, 1 external cable clamp with 2 screws, one plug.

The two piece hood is manufactured from flame retardant thermoplastic (UL 94V-O) with top and side cable entry & external cable clamp.

The hoods are suitable for D-sub connectors from 9 to 50 way.

The cover is easily removed with the help of two screws without disturbing the connector. The sliding mechanism, comprising of slide lock & latches, is very easy to operate. By pressing the side of the slide lock the locking device becomes loose & the connector mounted on the hood can be easily removed from the corresponding mating connector by a gentle pull.

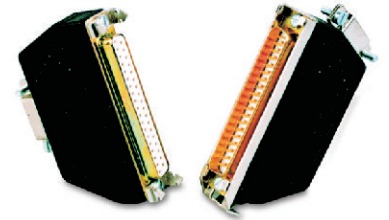


| No. of ways | Ordering* code | A | B | C | D | E | F | Round max. | Cable round min. | Outlet flat max. | Flat min. |
|-------------|----------------|------|------|------|------|------|------|------------|------------------|------------------|-----------|
| 09 | DS 09 | 32.2 | 22.1 | 25.0 | 38.5 | 15.0 | 28.6 | 6 | 4 | -- | -- |
| 15 | DS 15 | 39.8 | 26.1 | 33.3 | 48.0 | 15.0 | 34.1 | 7 | 5 | -- | -- |
| 25 | DS 25 | 54.2 | 30.3 | 47.0 | 63.0 | 15.0 | 38.3 | 8 | 6 | -- | -- |
| 37 | DS 37 | 70.7 | 38.2 | 63.5 | 79.0 | 15.0 | 46.2 | -- | -- | 7 x 16 | 5 x 16 |
| 50 | DS 50 | 68.0 | 38.2 | 61.1 | 76.5 | 18.0 | 46.2 | -- | -- | 10 x 16 | 5 x 16 |

* Add suffix 'S' for hood complete with slide lever and spring.

*Add prefix 'M' for metallised version eg.: **MDS09** or **MDS09S**

ACCESSORIES FOR HOOD WITH SIDE LOCK

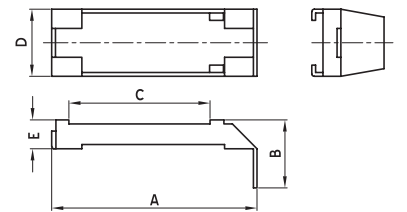


SLIDE LEVER

Material : Steel

Finish : Nickel plating

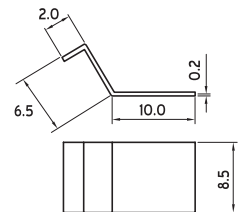
| No. of ways | Ordering code | A | B | C | D | E |
|-------------|---------------|------|------|------|------|-----|
| 09 | S 09 | 37.6 | 15.3 | 21.0 | 14.4 | 6.5 |
| 15 | S 15 | 44.1 | 15.5 | 30.3 | 14.4 | 6.5 |
| 25 | S 25 | 59.0 | 15.5 | 43.0 | 14.8 | 6.6 |
| 37 | S 37 | 75.5 | 15.5 | 59.5 | 14.8 | 6.6 |
| 50 | S 50 | 73.5 | 15.5 | 57.1 | 17.8 | 6.6 |



SPRING

Material : Stainless steel

Ordering code **SP9/50**

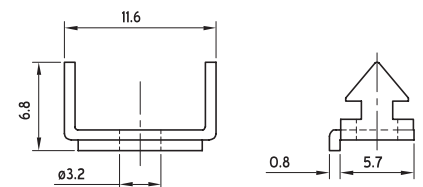


OVER FLANGE MOUNTING

Material : Steel

Finish : Nickel plating

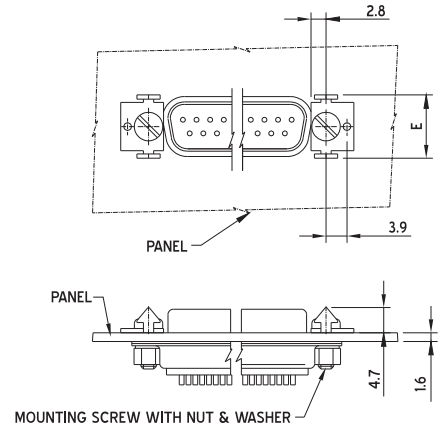
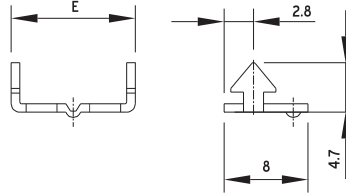
Ordering code **LOF9/37**



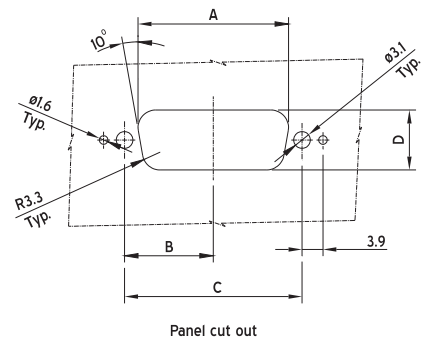
REAR PANEL MOUNT OVER FLANGE

Material : Steel

Finish : Nickel plating



| No. of ways | Ordering code | A | B | C | D | E |
|-------------|-----------------|-------|-------|-------|-------|-------|
| 09 | ROF 9/37 | 20.47 | 12.50 | 24.99 | 11.40 | 11.81 |
| 15 | ROF 9/37 | 29.80 | 16.66 | 33.32 | 11.40 | 11.81 |
| 25 | ROF 9/37 | 42.52 | 23.52 | 47.04 | 11.40 | 11.81 |
| 37 | ROF 9/37 | 59.08 | 31.75 | 63.5 | 11.40 | 11.81 |
| 50 | ROF 50 | 56.34 | 30.56 | 61.11 | 14.10 | 14.86 |



UNDER FLANGE MOUNTING

Material : Steel

Finish : Nickel plating

| No. of ways | Ordering code | A |
|-------------|-----------------|------|
| 09 | LUF 9/37 | 14.3 |
| 15 | LUF 9/37 | 14.3 |
| 25 | LUF 9/37 | 14.3 |
| 37 | LUF 9/37 | 14.3 |
| 50 | LUF 50 | 17.2 |

