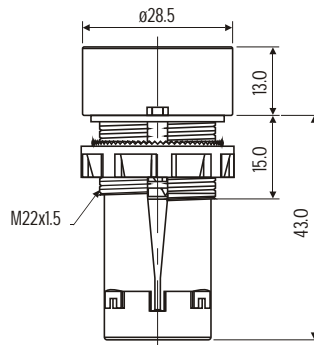


- Characteristics
- Modular in construction
  - Shock proof and vibration resistant
  - Compact in size
  - Provided with shroud for finger protection
  - Available with NO or NC or C/O contacts
  - Available in White, Black, Green, Red, Yellow & Blue button
  - Conform to IEC/EN-60947-5-1

CE

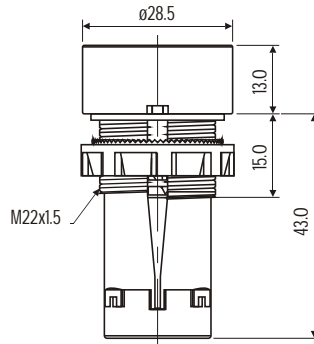
Spring return  
(Circular head flush)

Ordering code	Type of contact
PB7 11A()	NO
PB7 11B()	NC
PB7 11C()	C/O



Push & push to release  
(Circular head flush)

Ordering code	Type of contact
PB7 21A()	NO
PB7 21B()	NC
PB7 21C()	C/O



### TECHNICAL DATA

Material	Thermoplastic UL94V-0
Ambient temperature	-25° C to + 75° C
Insulation voltage	Ui = 300V
Electrical rating (AC 14-Utilization category)	D300
Electrical durability (As per IEC-947-5-1 AC 15)	230V ~ (VA)
	50,000 cycles      50
	5,00,000 cycles      20
Available colour	White, Black, Green, Red, Yellow & Blue
Terminal	Screw clamp connection
Wire Size	2 x 1.5mm <sup>2</sup> (max.)
Degree of protection	IP-54 (at front)
	IP-20 (at terminal end)
Cut-out required	22.5 mm. dia

( ) Colour

White	-	1
Black	-	2
Green	-	3
Red	-	4
Yellow	-	5
Blue	-	6

All dimensions are in mm.  
Due to continuous improvement in products, we reserve the right to alter specifications without prior notice