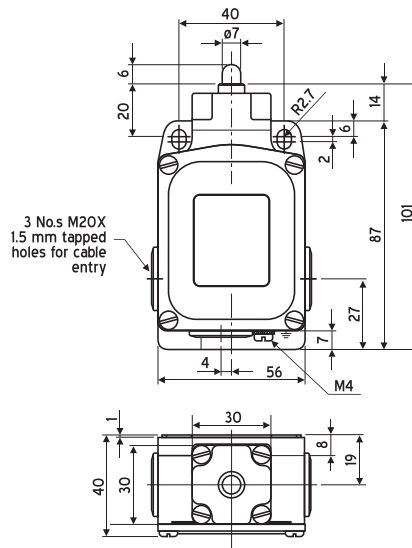


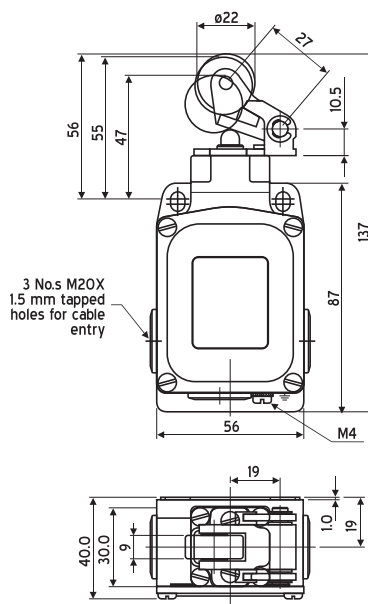
- Characteristics
- Having 1 NO + 1 NC contacts (SPDT),
 - Normal or snap action.
 - Die-cast aluminum housing has IP65 protection.
 - Long electrical and mechanical life.
 - Ample wiring space for easy termination.
 - Conform to IEC 947-5-1 standard.

CE

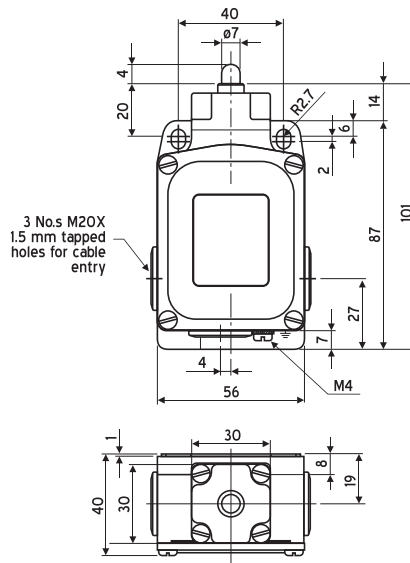
Ordering code	LSP-OT
Design	1 NO + 1 NC NC opens before NO closes
Enclosure	Diecast housing with push rod
Actuating force	1.0 Kg. (max.)
With Polyamide cable gland (M20 x 1.5)	Ordering code - LSP-OT1



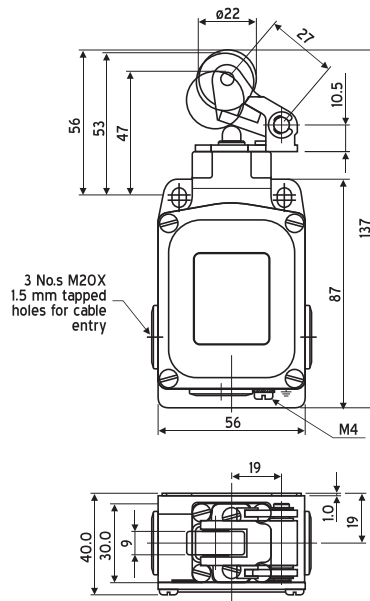
Ordering code	LSR-OT
Design	1 NO + 1 NC NC opens before NO closes
Enclosure	Diecast housing with roller lever
Actuating force	0.75 Kg. (max.)
With Polyamide cable gland (M20 x 1.5)	Ordering code - LSR-OT1



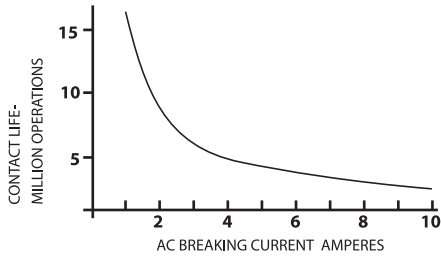
Ordering code	LSPS-OT
Design	1 NO + 1 NC Snap action mechanism
Enclosure	Diecast housing with push rod
Actuating force	1.5 Kg. (max.)
With Polyamide cable gland (M20 x 1.5)	Ordering code - LSPS-OT1



Ordering code	LSRS-OT
Design	1 NO + 1 NC Snap action mechanism
Enclosure	Diecast housing with roller lever
Actuating force	1.2 Kg. (max.)
With Polyamide cable gland (M20 x 1.5)	Ordering code - LSRS-OT1



All dimensions are in mm
Due to continuous improvement in products, we reserve the right to alter specifications without prior notice



Ordering code	Contact arrangement	Terminal No.	Travel in mm.
LSO / LSO-C / LSO-CP / LSP		1 2 3 4	
LSOS / LSOS-C / LSOS-CP / LSPS		1 2 3 4	
*LSR/LSR-OT		1 2 3 4	
*LSRS / LSRS-OT		1 2 3 4	
LSO-12 / LSO-12C		1 2 3 4 5 6	
LSO-21 / LSO-21C		1 2 3 4 5 6	
LSO-22 / LSO-22C		1 2 3 4 5 6 7 8	

Contact closed
 Contact open

Note 1. * For limit switch with roller lever, the travel is reckoned from the point where the roller touches the push-rod.
 2. # The point of operation during return travel.

All dimensions are in mm.
 Due to continuous improvement in products, we reserve the right to alter specifications without prior notice