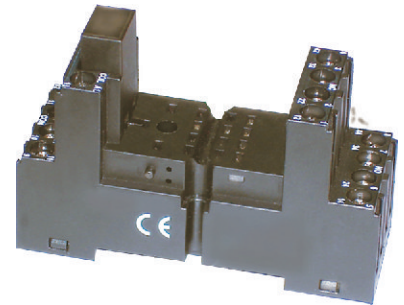
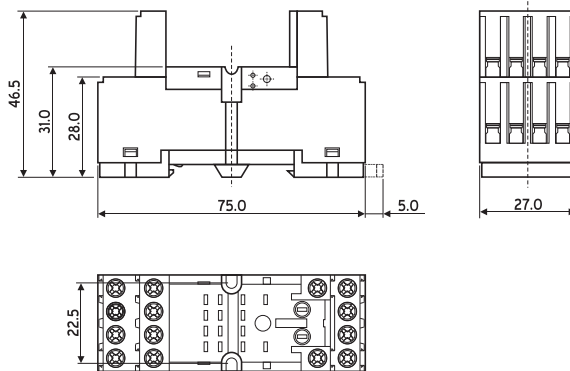




Two pole/Four pole, Relay sockets
 (finger protection)
DIN rail / surface mounting



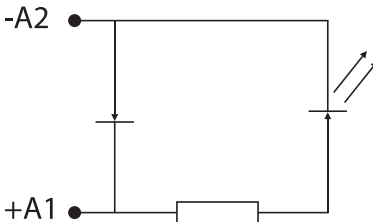
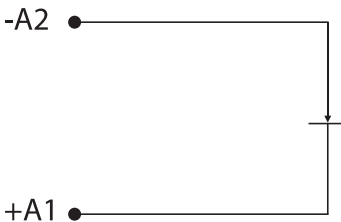
Ordering code ***ERS 15/2M** **ERS 15/4M**
 (2 Pole) (4 Pole)

***Same as ERS15/4M sockets but without terminals in cavity 2,3,6,7,10 & 11**

Standard conformity	EN 60947-5-1 IEC 947-5-1
Material	Flame retardant thermoplastic (UL94V-0)
Colour	Black
Rating	10A, 300V AC
Dielectric strength	>2.5KV for 1 min.
Insulation resistance	1000 Mohms (min.)
Contact resistance	10 mohms (max.)
Temperature range	-45°C to +120°C
Mounting	DIN Rail EN 50022 or surface with two M3 screws
Terminals	Combi-screw M3
Terminal protection degree	IP20
Torque on screw	0.8 Nm
Wire size	2 x 2.5 sq. mm.

All dimensions are in mm.
 Due to continuous improvement in products, we reserve the right to alter specifications without prior notice

Plug-in indicator & protection module
CE

Description	Voltage	Diagram	LED Colour	Ordering Code
LED indication and Polarity reversal protection	6/24 V DC 24/60 V DC 110/230 V DC		Red Red Red	LP1 LP2 LP3
Polarity reversal protection	6/230 V DC		---	P1

Note : Custom made modules on request.

Accessories	Ordering code
Hold down spring	RCE
Hold down spring/ejector	HDE
Marking Plate	MPI