

- Characteristics**
- 1 NO + 1 NC, 1NO + 2 NC, 2 NO + 1 NC, 2 NO + 2 NC contacts.
 - Silver contacts are designed for low contact resistance.
 - Long mechanical & electrical life.
 - Robust contact springs.
 - Can be operated at frequencies as high as 3000 switching cycles /hr.
 - Available in open execution or in aluminum alloy diecast housing.
 - Roller Lever switches can be operated from 4 directions in step of 90°.
 - Snap action limit switches are designed for extremely low operating speeds.
 - Switch elements with a cover are also available.
 - Conform to IEC 947-5-1 standard.

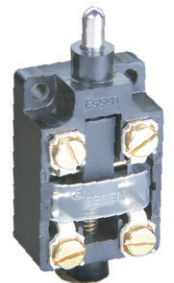
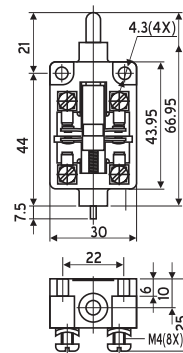
CE

Ordering code **LSO/*LSO-C**

Design 1 NO + 1 NC
Normal action mechanism
NC opens before NO closes

Enclosure Open execution

Actuating force 1.0 Kg. (max.)



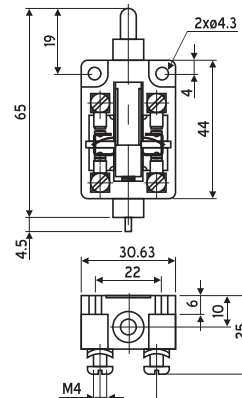
*LSO-C Basic switch element with cover

Ordering code **LSOS/*LSOS-C**

Design 1 NO + 1 NC
Snap action mechanism

Enclosure Open execution

Actuating force 1.5 Kg. (max.)



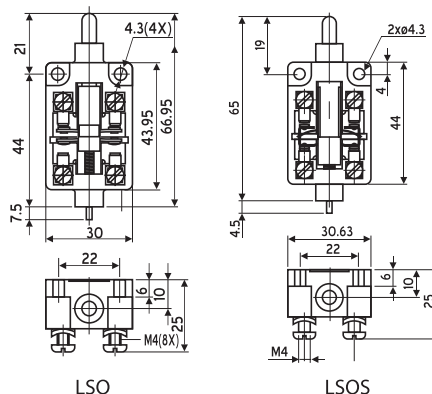
*LSOS-C Basic switch element with cover

* Ordering code **LSO-CP/*LSOS-CP**

Design 1 NO + 1 NC
Snap action mechanism

Enclosure Open execution

Actuating force 1.5 Kg. (max.)



*LSO-CP/LSOS-CP Basic switch element LSO or LSOS with protective cover

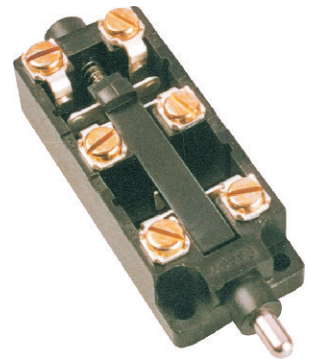
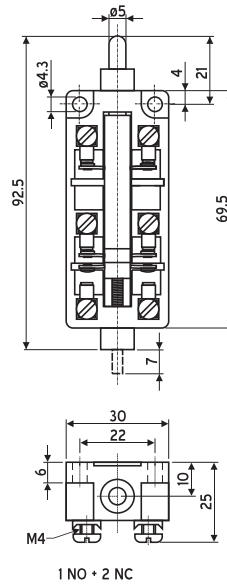
Ordering code **LSO-12/*LSO-12C**

Design 1 NO + 2 NC
 NC opens before
 NO closes

Enclosure Open execution

Actuating force 1.0 Kg. (max.)
 (In direction of stroke)

*LSO-12C Basic switch element with cover



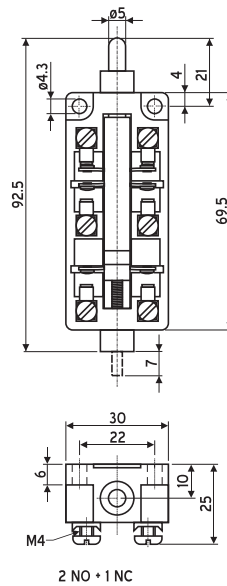
Ordering code **LSO-21/*LSO-21C**

Design 2 NO + 1 NC
 NC open before
 NO closes

Enclosure Open execution

Actuating force 1.0 Kg. (max.)
 (In direction of stroke)

*LSO-21C Basic switch element with cover



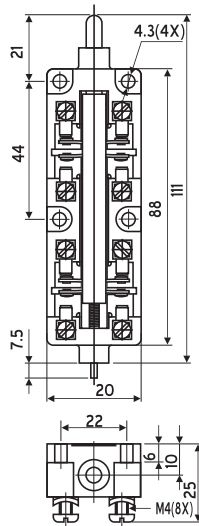
Ordering code **LSO22/*LSO22C**

Design 2 NO + 2 NC
NC opens before
NO closes

Enclosure Open execution

Actuating force 1.0 Kg. (max.)
(In direction of stroke)

*LSO-22C Basic switch element with cover



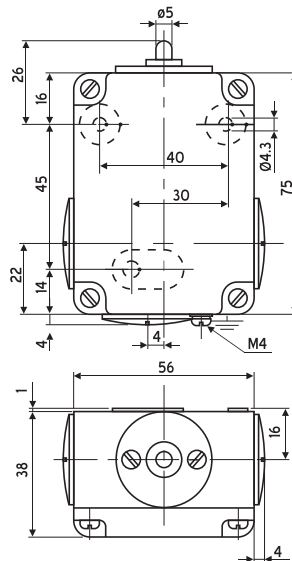
Ordering code **LSP**

Design 1 NO + 1 NC
NC opens before
NO closes

Enclosure Diecast housing
with push rod

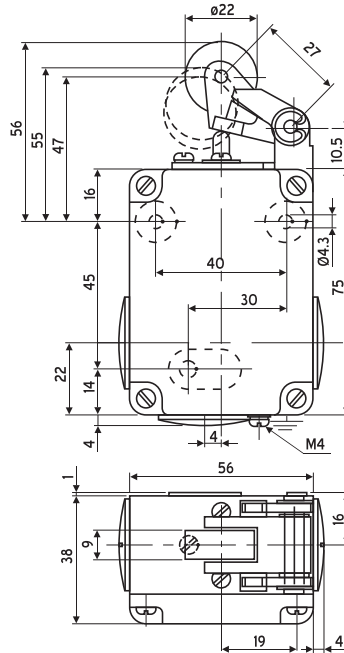
Actuating force 1.0 Kg. (max.)

Diecast housing
with gasket Ordering code - **LSPG**



All dimensions are in mm.
Due to continuous improvement in products, we reserve the right to alter specifications without prior notice

Ordering code	LSR
Design	1 NO + 1 NC NC opens before NO closes
Enclosure	Diecast housing with roller lever
Actuating force	0.75 Kg. (max.)
Diecast housing with gasket	Ordering code - LSRG



Ordering code	LSPS
Design	1 NO + 1 NC Snap action mechanism
Enclosure	Diecast housing with push rod
Actuating force	1.5 Kg. (max.)
Diecast housing with gasket	Ordering code - LSPSG

