

**Front wiring screw terminal sockets
DIN rail / surface mounting**


Approval



Ordering code

DS08

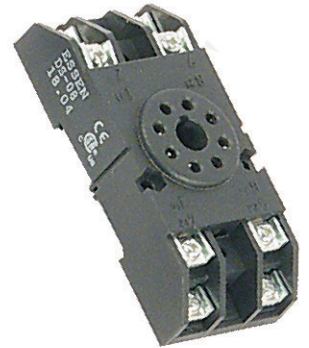
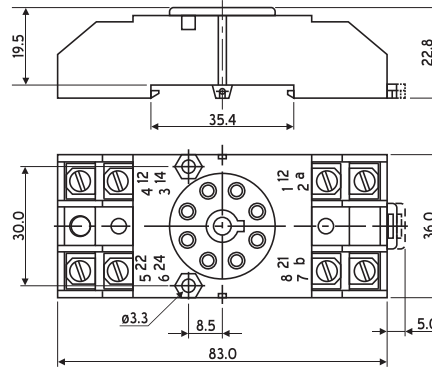
Socket 8 pin

Insertion force

11 kg. (max.)

Withdrawal force

2.0 kg. (min.)



Ordering code

DS11

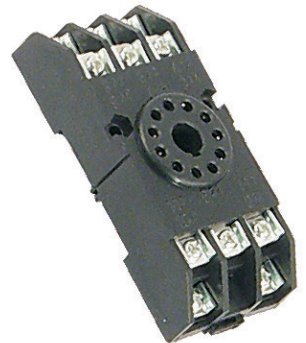
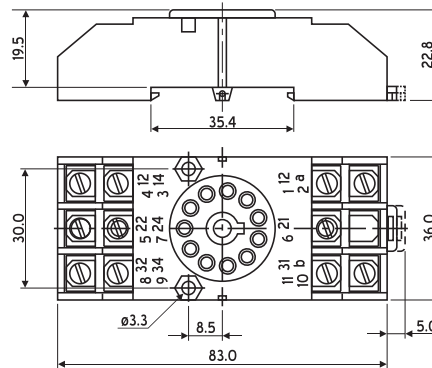
Socket 11 pin

Insertion force

15 kg. (max.)

Withdrawal force

2.0 kg. (min.)



Standard conformity

 EN 60947-5-1
IEC 947-5-1

Material

Flame retardant thermoplastic material (UL94V-O)

Colour

Black

Rating

10 A AC/DC, 240V rms

Dielectric strength

1500V rms for 1 minute

Insulation resistance

1000Mohms min. at 500V DC

Temperature range

-45°C to +120°C

Mounting

DIN rail EN 50022, two M3 screws

Terminals

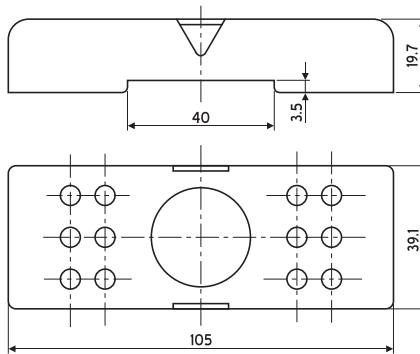
M3 Screws/spade 6.5 mm.

All dimensions are in mm.

Due to continuous improvement in products, we reserve the right to alter specifications without prior notice

Cover


Approval



Ordering code

DC08 / 11

Material

 Flame retardant
thermoplastic material
(UL94V-0)

Colour

Black

A snap fit front wiring cover helps to prevent inadvertent touch to live terminals of **DS08** and **DS11** sockets.

NOTE :

1. Retaining clips for relays (**RC**) and timers (**TC**) are available.
2. These sockets are also available with LED indication (24V AC or DC only). Ordering code : **8 pin - DS081; 11 pin - DS111.**

All dimensions are in mm.
Due to continuous improvement in products, we reserve the right to alter specifications without prior notice